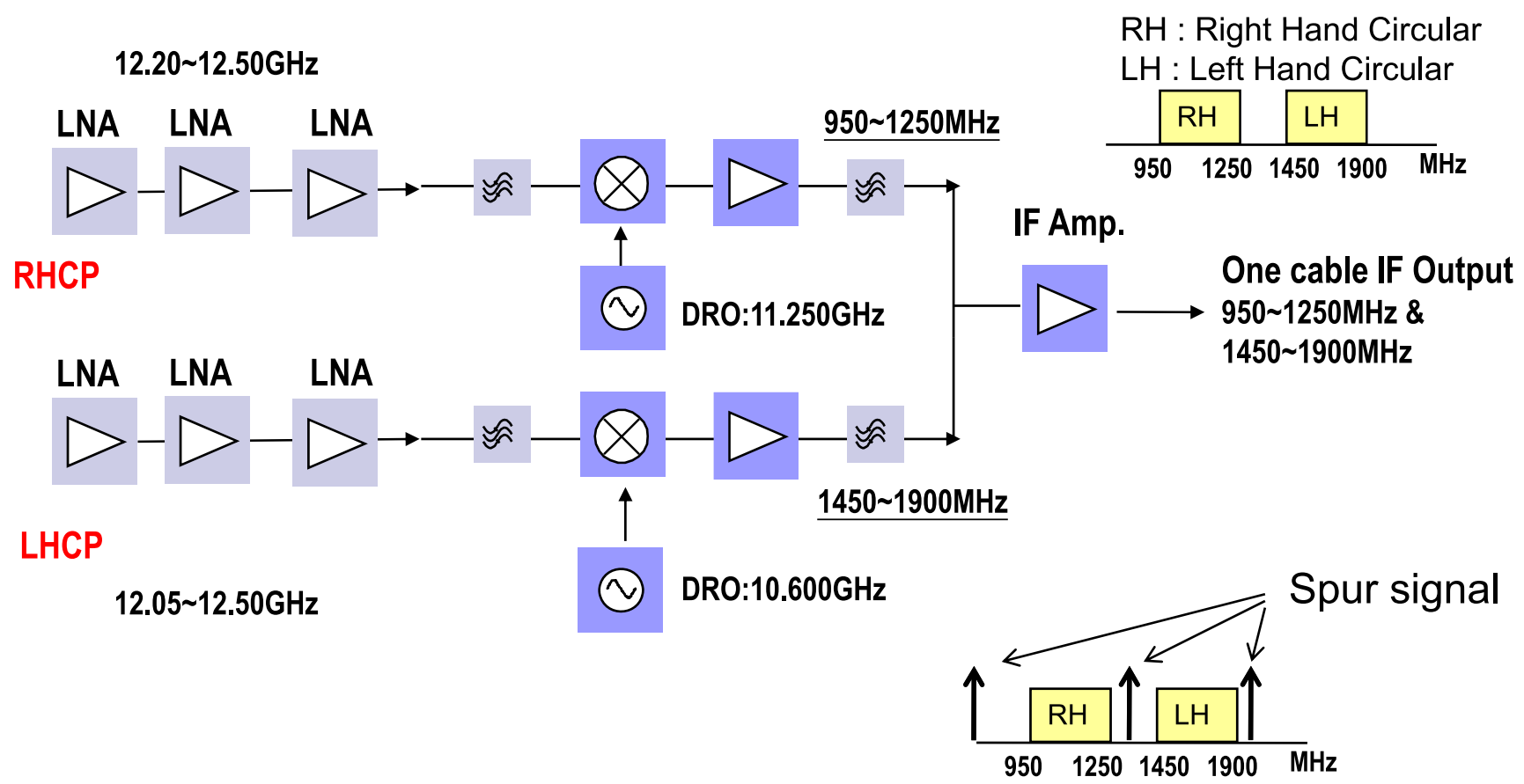




Block Diagram



Spur signal : 11.25GHz-10.6GHz=650MHz, 1300MHz, 1950MHz → out-band